

Contact our experts
support@yelow.net

CR1009Pro meets the NWS evaluation criteria for NWR All Hazards logo use

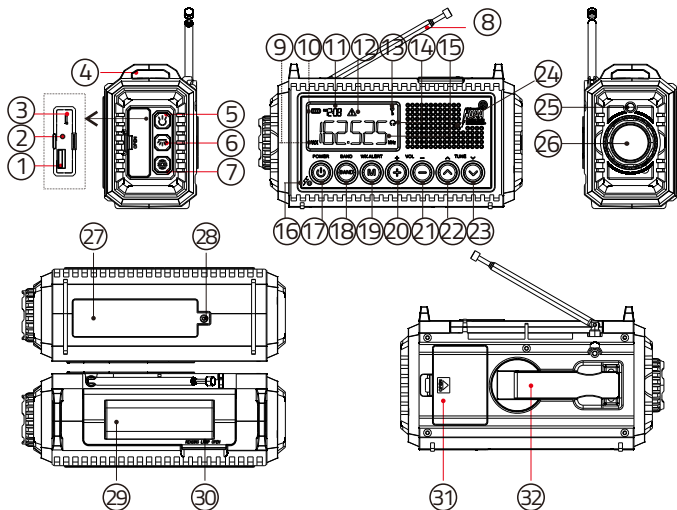
CR1009 Pro Emergency Alert Radio
with AM/FM/SW/NOAA weather/Solar/Hand Crank

[Http://www.yelow.net](http://www.yelow.net)



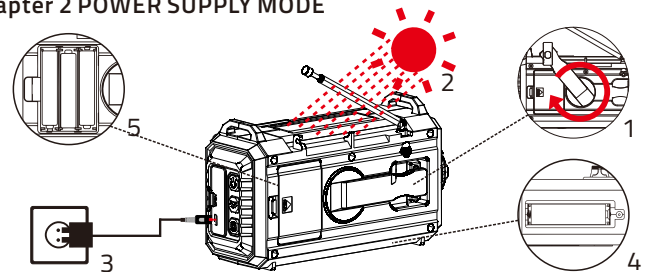
Version 1.2

Chapter 1 LOCATION OF CONTROLS



- 1. USB Output Charging Port
- 2. 3.5mm headphone jack
- 3. Micro USB Input charging Port
- 4. Carry Strap Holder
- 5. Flashlight Button
- 6. Reading Lamp Button
- 7. SOS Control Button
- 8. Telescopic Antenna
- 9. Band Indicator
- 10. Battery Indicator
- 11. Time Display
- 12. Weather Alert Indicator
- 13. Lock Indicator
- 14. Headphone Indicator
- 15. Frequency Indicator
- 16. Power Indicator
- 17. Power/Lock Button
- 18. Band button(AM FM SW WB)
- 19. WX Alert/Set Time Button
- 20. Vol+/Backlight
- 21. Vol- Button
- 22. Tune+ / Previous Button
- 23. Tune- / Next Button
- 24. Speaker
- 25. Red Alert Light
- 26. Flashlight
- 27. 21700 Rechargeable Battery (included)
- 28. Battery Compartment
- 29. Solar Panel
- 30. Reading Lamp
- 31. AAA Battery Compartment
- 32. Crank Handle

Chapter 2 POWER SUPPLY MODE



5 ways to power the radio:

1. Hand Crank Power

(1) Unfold the crank handle from the backside and rotate it in either any direction.

(2) Rotate the crank handle, It will generate 300-350mA electricity to charge build-in 21700 rechargeable battery.

Note: Rotate the crack handle at the speed of 2 laps per second. It will generate 300-350mA electricity.

2. Solar Power

(1) Expose the solar panel to sunlight, don't charge indoors.

(2) It will generate 30-50mA electricity to charge build-in 21700 rechargeable battery.

Note: Solar panel will generate 30-50mA electricity when exposed to sunlight.

It is difficult to fully charge the 21700 battery with solar panel, which is mostly used for maintaining the rechargeable battery.

3. Micro USB Charging input

(1) Connect USB Cable(included) to a regular AC power adapter(not included).

(2) Plug the USB cable into the Micro USB port of the radio.

(3) Plug the AC adaper to a 110-220V standard outle.

It is highly recommended to use 5V/2A AC power adapter.

4. Li-ion Rechargeable Battery

The radio contains a 5000mAh Li-ion rechargeable battery.

	Working/Fully Charged		Battery charging
	Battery indicator		Button Lock indicator
	Weather Alert indicator		Headphone indicator

5. AAA Batteries

- (1) Open the battery compartment on the back of the unit and insert 3pcs AAA batteries making sure the polarity is correct.
- (2) When Li-ion Rechargeable Battery power is low, the power source will be switched to AAA batteries power mode automatically.

Chapter 3 POWER SWITCH

There is automatic power switch function in this radio.

1. When Li-ion Rechargeable Battery life is low, it will switch to AAA batteries power mode automatically.
2. When AAA Battery life is low, it will switch to Li-ion rechargeable battery power mode.
3. If Li-ion Rechargeable Battery life is low either, then the radio will be turned off automatically.

Chapter 4 CHARGING PHONE or PORTABLE DIGITAL DEVICE

Connect your phone charging cable with the USB output port at the right side of the Radio. If the CR1009Pro has no power, you can rotate the crack handle for 8-15 minutes. then your phone will get enough power to start up.

Note: This feature is only for charging the USB devices for emergency use.

Chapter 5 READING LAMP

1. Flip up the solar panel by 90 degrees to be table lamp.
2. Press Reading Lamp Button and the lamp will be turn to Brightness Level 1 (brightest level)
3. Press the button once again the lamp will be turn to Brightness Level 2 (normal brightness)
4. Then press the button again to turn off the lamp



Chapter 6 FLASHLIGHT

1. Press Flashlight Button to turn on flashlight, and the light will be turn to Brightness Level 1 (brightest level)
2. Press the button once again the light will be turn to



- 03 -

- Brightness Level 2 (normal brightness)
3. Then press the button again to turn off the light

Chapter 7 SOS ALERT

In a emergency, you can turn on the Alert light and Alert sound.

1. Press SOS Button to turn on SOS alert.
2. Press SOS Button again, the SOS alert will be turned off.



Chapter 8 TIME SETTING

1. To enter time setting, hold press **WX ALAERT** button for more than 2 seconds.
2. HOUR digit will flash, please **TUNE+** or **TUNE-** button to adjust hour setting, press **WX ALAERT** button to confirm.
3. MINUTE digit will flash, please **TUNE+** or **TUNE-** button to adjust minute setting, press **WX ALAERT** button to confirm

Chapter 9 LCD BACKLIGHT SETTING

There are 2 backlight setting: Default / OFF

Default: Backlight will be active for 15 seconds when any button is pressed. Hold press **VOL+** button to switch to be OFF setting, hold press **VOL+** button again to switch to Default setting.

Chapter 10 LOCK BUTTON FUNCTION

During the journey, in order to avoid accidentally pressing the buttons, you can enable the lock button function

Hold press **POWER** button, radio will lock all of buttons, the **LOCK** icon on LCD will appear.

hold press **POWER** button again, radio will unlock all of buttons, the **LOCK** icon on LCD will disappear.

- 04 -

Chapter 11 RADIO OPERATION

1. Turn on radio

Press **POWER** button to turn on radio, radio enter standby mode, press **POWER** button again to turn off radio.

2. Band

Repeatedly press **BAND** button to switch from FM, AM, Shortwave, Weather band or standby mode.

Weather Band: Receives all 7 weather band from NOAA, the U.S. National Weather Service which broadcasts in all 50 states, Puerto Rico and the U.S. Virgin Islands.

162.400 / 162.425 / 162.450 / 162.475 / 162.50 / 162.525 / 162.55MHz

AM Band: Receives all local AM stations from 520KHz to 1710 KHz.

FM band: Receives all local FM stations from 87.00MHz – 108MHz.

SW Band: Receives all Shortwave bands from 2.3MHz- 22MHz

Standby mode: Device will exit radio mode, display only shows time on the display.

3. Volume Control

Repeatedly press **VOL+** or **VOL-** button to adjust the sound volume.

4. Manual Tuning Channel

Repeatedly press **TUNE+** or **TUNE-** button to tune into the desired channel. Each press **TUNE+** button, FM frequency will tune up by 0.1.

Each press **TUNE-** button, FM frequency will tune down by 0.1.

5. Auto Scanning Radio Channel

Hold press **TUNE+** or **TUNE-** button for more than 2 seconds to start auto scanning.

Scanning will stop automatically once it receive an available channel.

6. Weather Band

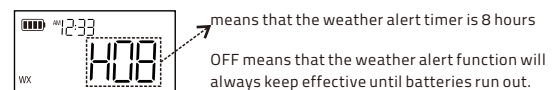
Repeatedly press **BAND** button to select WB band, then Repeatedly press **TUNE+** or **TUNE-** button to choose one of the WB band which is for your local weather station.

- 05 -

7. Weather Alert Function

Manual Setting Mode

- (1) To Enable All 7 NOAA Weather Stations for Receiving Alert, press **WX ALAERT** button once.
- (2) When the NOAA Weather Alert function is enabled, the **WX** and **ALERT** icon will show on the LCD display, the red alert light will flash.
- (3) Press **TUNE+** or **TUNE-** button to set timer for weather alert, include 2H, 4H, 6H, 8H, 12H, 16H, 20H, 24H or OFF.



OFF means that the weather alert function will always keep effective until batteries run out.

- (4) Press **WX ALAERT** button or wait 5 seconds to confirm the setting. in this case, even you press **POWER** button to turn off radio, the Weather Alert function will also keep effective, but when the Weather Alert timer which you set ends up, the radio will shut down automatically.
- (5) When a weather alert is received, there will be an audible siren comes out, the red alert light, the **WX** and **ALERT** icon and the backlight on the LCD display will flash.
- (6) After a weather alert is received, press any button, the audible siren will be turned off, the red alert light and the backlight will be turn off, the **WX** and **ALERT** icon on the LCD will disappear. Radio will switch to the weather channel which send weather alert automatically.

Standby Mode

Under standby mode, radio can also receive the weather alert, when it receive weather alert, it will sound an audible siren, the red alert light, the **WX** and **ALERT** icon and the backlight on the LCD display will flash.

- 06 -